

## CHARLESTON DOUBLE



OUR CHARLESTON VANITY TAKES ITS CUE FROM THE MODESTY AND DISCRETION OF THE SHAKER DESIGN SCHOOL TO PROVE ITS POINT QUIETLY YET FIRMLY.

### AVAILABLE FINISHES

PORTER COLOURS	VPPC
CUSTOM COLOUR	VPCC

### BASE COLOUR (MOHER)

AVAILABLE IN ALL PORTER STONE OPTIONS

### DIMENSIONS

WIDTH [MM/IN]	1190/46.9
DEPTH [MM/IN]	575/22.6
HEIGHT [MM/IN]	910/35.8

WASTE OUT HEIGHT [MM/IN]	545/21.5
WATER IN HEIGHT [MM/IN]	645/25.4

### DETAILS

DOUBLE DOOR CENTRAL STORAGE WITH INNER SHELF. ALL WITH SOFT CLOSING MECHANISMS. SOLID BIRCH FRAMED WITH POPLAR WOOD AND MULTI LAYER PANELS.

### SWATCHES



PEAK MOHER (BASE) COMBE HOWTH CAUSEWAY COOLE

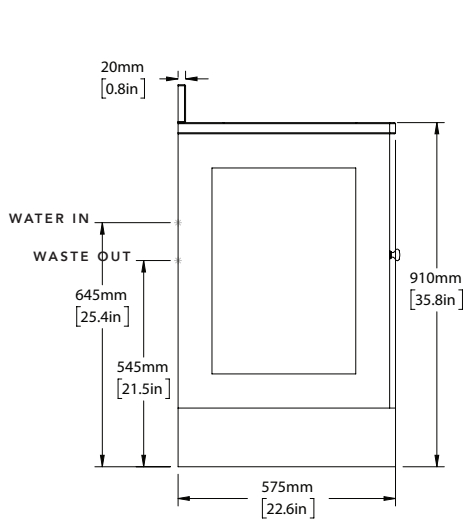


CUSTOM

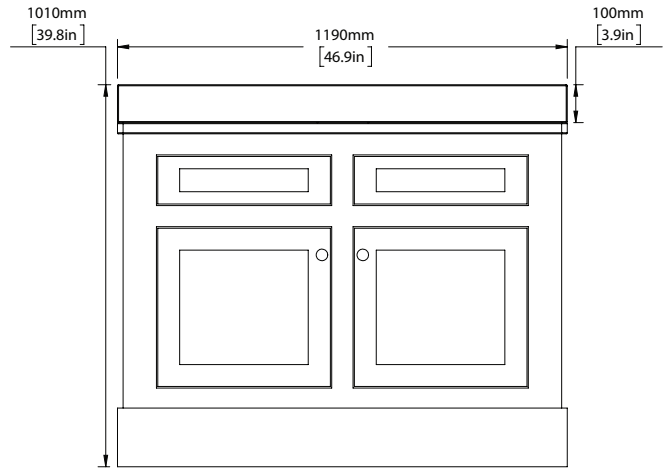
### IMAGE REFERENCE

PAINTED MOHER  
CARRARA MARBLE HONED  
SILVER NICKEL BRASSWARE

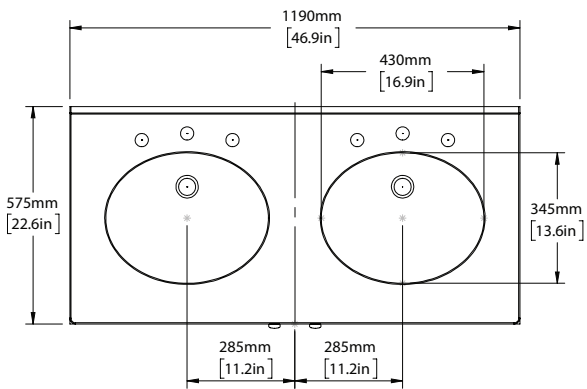
## CHARLESTON DOUBLE



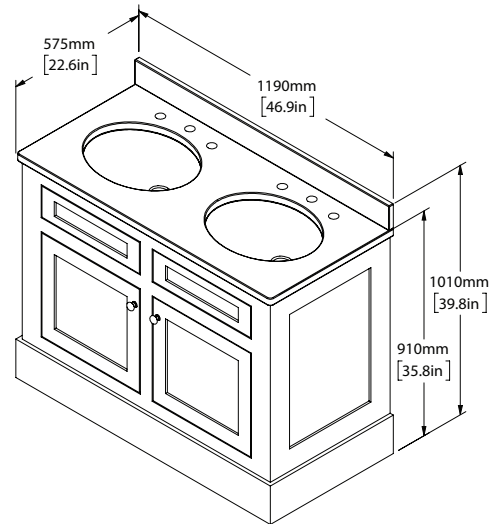
SCALE 1:20



SCALE 1:20



SCALE 1:20



SCALE 1:25