

## TOWEL RAIL LARGE WALL



PORTER HEATED TOWEL RAILS ARE CONSTRUCTED FROM THE HIGHEST-GRADE CORROSION RESISTANT DZR BRASS. THE QUALITY OF FINISH IS REMINISCENT OF YACHT-RAIL STYLING, DURABLE AND BEAUTIFUL. THE DUAL FUEL FLOOR MOUNTED MODELS CAN BE CONFIGURED WITH A HIDDEN ELECTRICAL HEATING ELEMENT. EACH UNIT IS RIGOROUSLY TESTED TO ENSURE THE CORRECT HEAT OUTPUT AND FURTHER PRESSURE TESTED TO FOURTEEN BAR.

### AVAILABLE FINISHES

POLISHED CHROME	PC
SILVER NICKEL	SN
POLISHED BRASS	PB
ANTIQUÉ BRASS	AB

### DIMENSIONS

HEIGHT [MM/IN]	1260/49.6
WIDTH [MM/IN]	500/19.7
DEPTH [MM/IN]	125/4.9

### DETAILS

MADE FROM HIGH GRADE CORROSION RESISTANT DZR BRASS. 700 BTU

### SWATCHES

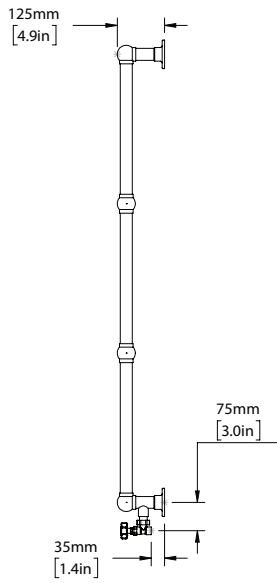


POLISHED CHROME   SILVER NICKEL   POLISHED BRASS   ANTIQUÉ BRASS

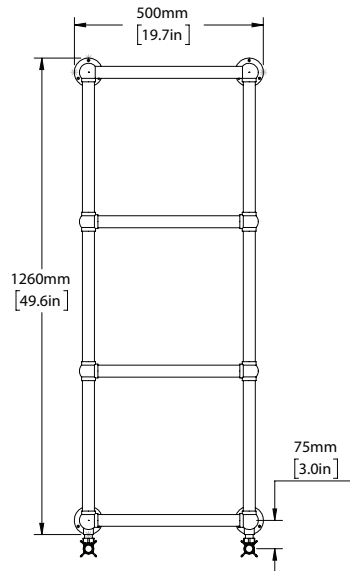
### IMAGE REFERENCE

SILVER NICKEL FINISH

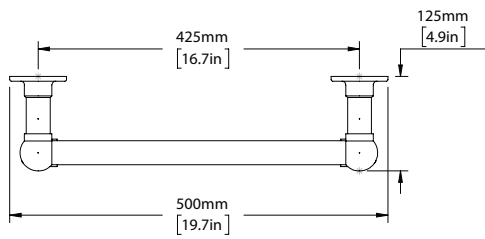
## TOWEL RAIL LARGE WALL



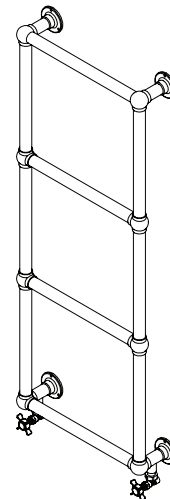
SCALE 1 : 20



SCALE 1 : 20



SCALE 1 : 10



SCALE 1 : 20