

PORTMAN BATH



THE PORTMAN PAINTED BATH, WHETHER FREESTANDING OR BUILT-IN USING OUR SIDE AND END PANELS IS AVAILABLE WITH AN ARRAY OF PRIZED MARBLE AND LIMESTONE TOPS WITHIN OUR PORTER MATERIALS SELECTION. THERE IS NO BETTER VANTAGE POINT FROM WHICH TO ADMIRE THE CALM QUIETUDE OF YOUR PORTER BATHROOM.

AVAILABLE FINISHES

PORTER COLOUR	VPPC
CUSTOM COLOUR	VPCC

(BASE COLOUR MOHER)
AVAILABLE IN ALL PORTER STONE OPTIONS

DIMENSIONS

WIDTH [MM/IN]	880/34.6
LENGTH [MM/IN]	1840/72.4
HEIGHT [MM/IN]	600/23.6

DETAILS

SOLID BIRCH FRAMED WITH POPLAR WOOD AND MULTI LAYER PANELS.

SWATCHES



PEAK MOHER (BASE) COMBE HOWTH CAUSEWAY COOLE

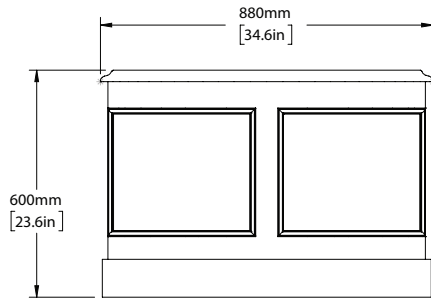


CUSTOM

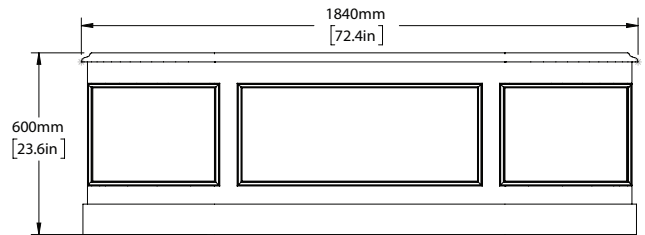
IMAGE REFERENCE

PAINTED MOHER
CARRARA MARBLE HONED
SILVER NICKEL BRASSWARE

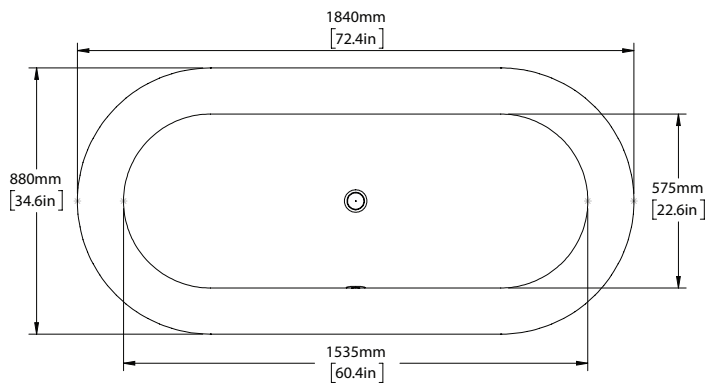
P O R T M A N B A T H



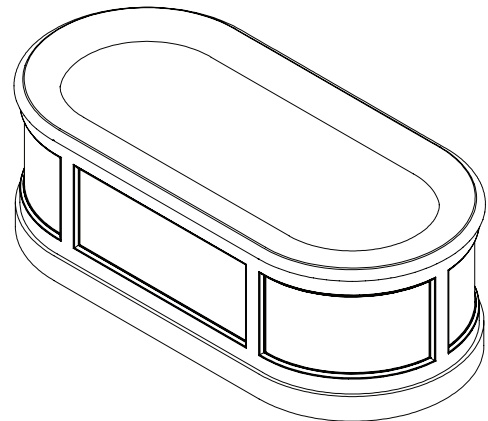
SCALE 1:20



SCALE 1:25



SCALE 1:25



SCALE 1:25